

Standard Preparation Freestanding Hand Wash Basin

ITEM # _____

MODEL # _____

NAME # _____

SIS # _____

AIA # _____

**132951 (NLPD)**

Free-standing hand wash sink with 1 upper bowl with mixer spout and drain hole and 1 lower bowl with mixer spout, drain hole and support grid

Short Form Specification

Item No. _____

Made from 304 AISI stainless steel. Upper bowl mm340x240x150h with mixer spout and drain hole. Lower bowl mm 340x340x160h with mixer spout, drain hole and support grid.

Main Features

- Easy to clean thanks to the rounded bowl and corners.
- Washbasin can be equipped with a wall panel plus paper and soap dispensers as optional extras.
- Sturdiness, stability and reliability of table accurately tested.

Construction

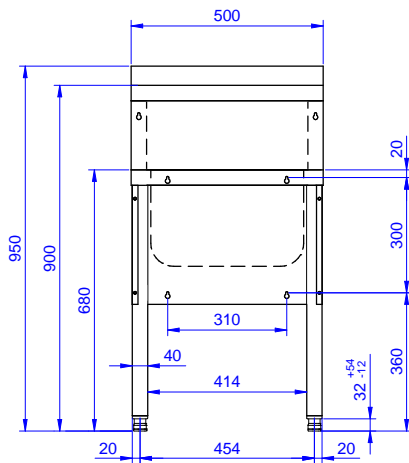
- Mixer spout, 1/2" in diameter and drain hole supplied as standard.
- Constructed entirely in 18/10 stainless steel.
- Sound deadened pressed bowl with rounded corners and all-round lip to prevent overspill.
- Rear upstand 30 mm in height and 1.5 mm thick.
- Syphon included in the delivery.
- Upper hand washbasin (dimensions 300x240x150) and a lower drainage sink with a steel support grid
- Square section feet (40x40mm).
- Wide range of taps are available to suit every need.
- 100 mm upstand with 10 mm radiused corner and 13 mm deep, designed to be used against a wall.

Optional Accessories

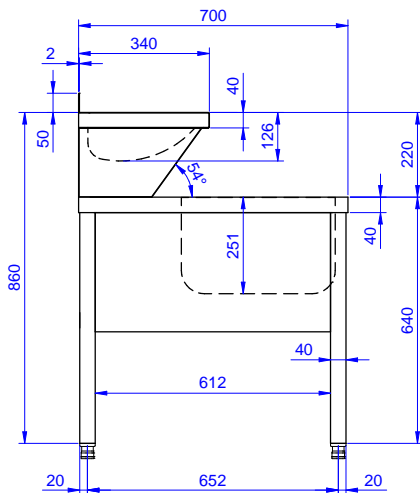
- Single plastic drain syphon 1,5" PNC 855306

APPROVAL: _____

Front



Side

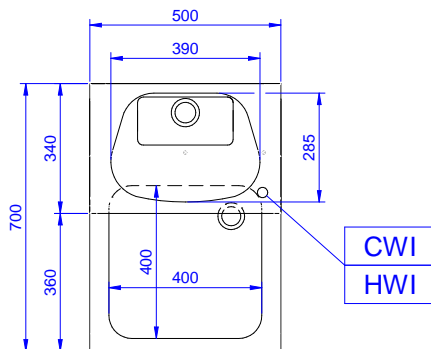


CW11 = Cold Water inlet 1
(cleaning)

D = Drain

HWI = Hot water inlet

Top



Water:

Water drain outlet size:

132951 (NLPD)

1"1/2

Key Information:

External dimensions,

Width:

500 mm

External dimensions,

Depth:

700 mm

External dimensions,

Height:

950 mm

Bowls number

1

Bowl dimensions

340x340xH160

Worktop thickness:

50 mm

Net weight:

50 kg